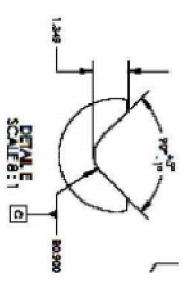
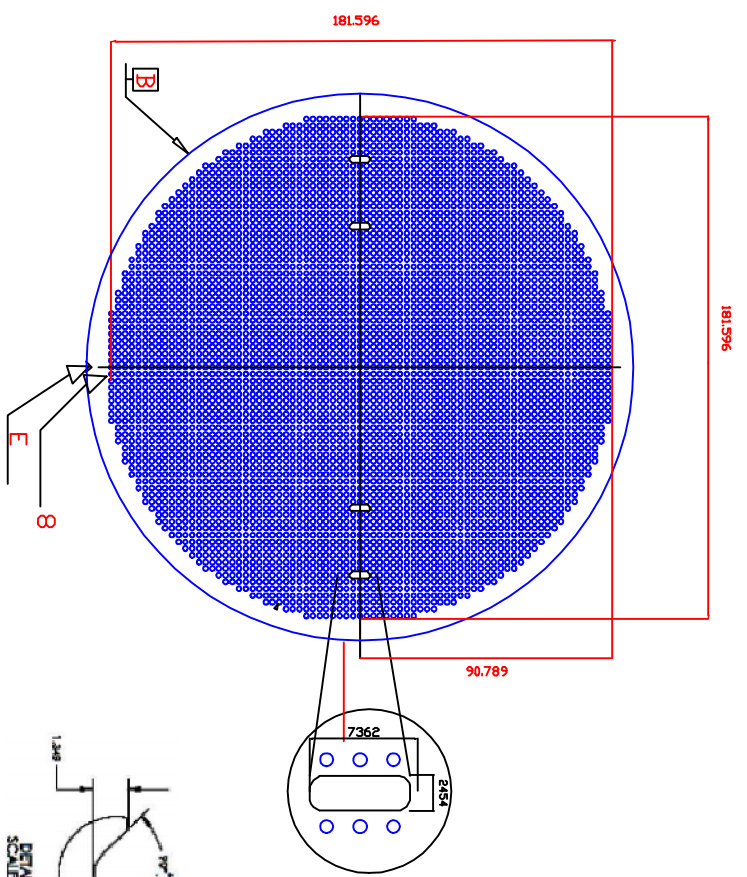
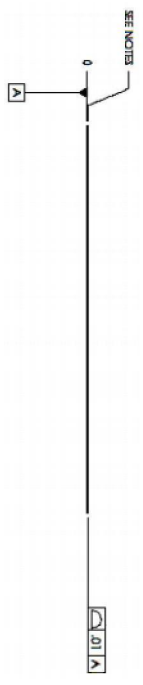


1 2 3 4 5 6 7 8 9 10 11



1. SPACER DIAMETER : 200 +/- 0.05 MM
2. SPACER THICKNESS: 1.2 +/- 0.015 MM
3. NUMBER OF HOLES : 4489
4. POSITION TOLERANCE BASED ON IDEAL 2454 +/- 0.05MM PITCH AND HOLE POSITION WITH RESPECT TO IDEAL LOCATION.
5. CUMULATING PITCH : 181.596 +/- 0.05 MM
6. MAXIMUM WAFER WRAP : 1.0MM
7. HOLES DIAMETER : 1.750 +/- 0.05MM
8. MARKING CODE : 60SPD11022
9. MAXIMUM PLANARITY BETWEEN A,B AND C : 0.1 MM



REVISIONS

REV	DESCRIPTION	DATE	DFLT	CHK	ENG
0	Initial Spacer Design	09/08/11		M.SLM	M.BEN

OBJECT ORIENTATION

APPROVALS		DATE
ENG.	M.BEN	12/08/11
ENG.	M.SLM	12/08/11
ENG.		
ENG.		
MFG.		

Project Number
S5 SPACER Design 8'

SIZE ID CODE NO. BRAVING NO.
R02-DV-22 60SPD11022_SPACER

SCALE = 1 : 1 SHEET 1 OF 1 REV. 01

H G F E D C B A

H G F E D C B A

MATERIAL: FR4 FINISH: Micro-meters